

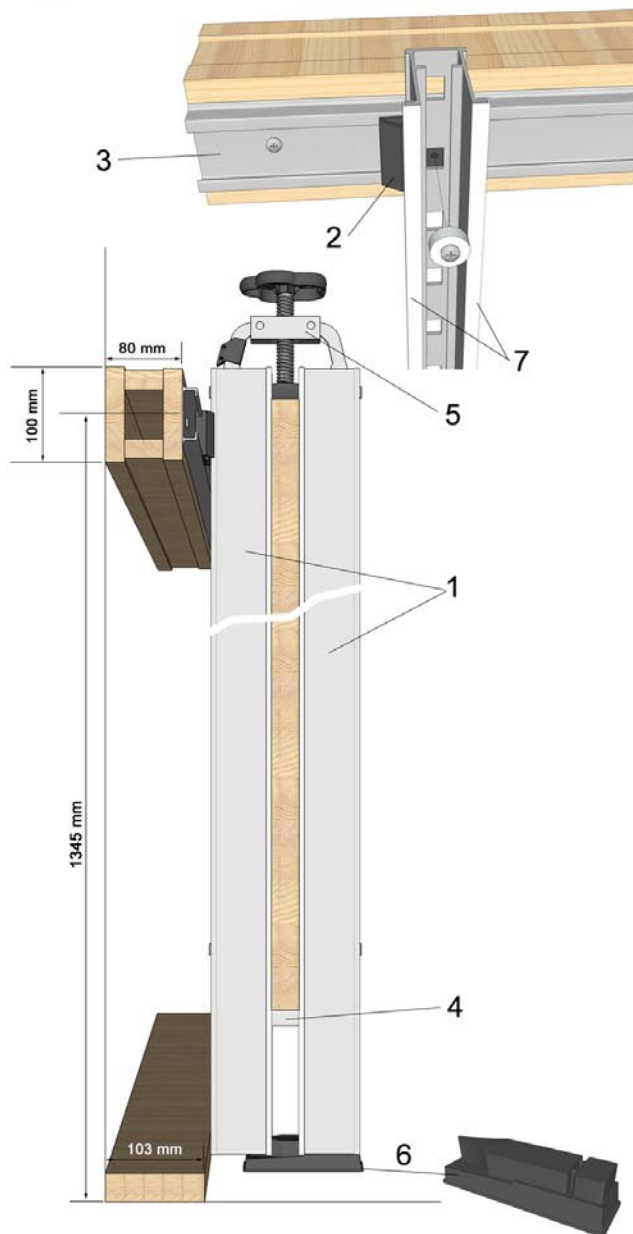
# GLUING PRESS

# PLANO

## Technical data

Workpiece thickness	max	0 - 5"
Gluing height	max	44-50"
Gluing pressure		1750 lbs
(1 inch = 25.4mm)		

Fig "A"



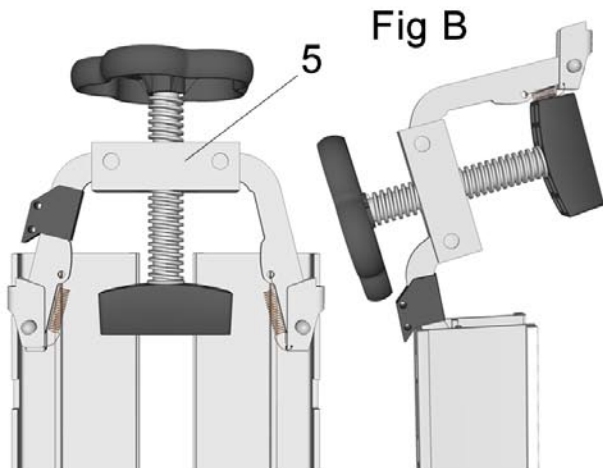
- 1 Pressure element
- 2 Sliding piece
- 3 Slide rail
- 4 Base beam
- 5 Pressure beam
- 6 Foot
- 7 Edge protector

## Assembly (Fig "A")

- ◆ Attach the slide rail (3) on a pre-fabricated wooden fixture with 3 screws. Screw the screws into the wooden fixture so that the slide rail (3) is clamped by the screw heads.
- ◆ Attach the wooden fixture to the wall. The distance from the floor to the centre of the slide rail (3) should be 1045-1050 mm (41 1/4").
- ◆ Apply the edge protectors (7) according to fig. "A"
- ◆ Screw the sliding piece (2) from the inside of the pressure elements with a plastic disk under the screwhead.  
**Observe it should be the second rectangular hole from the top.** Insert the pressure element with the sliding piece (2) into the slide rail (3).
- ◆ Place a suitable wooden moulding, 103 mm (4") wide, on the floor between the pressure element and the wall in order to ensure the vertical alignment of the rear pressure element.
- ◆ Apply the foot (6) in the bottom of the pressure element. Place two pressure elements (1) together with their open sides facing towards each other. Insert the base beam (4) into the pressure elements (1) from above.

FIG. "B":

- ◆ Insert the pressure beam (5) from above into the pressure elements. The plastic fitting is designed to serve as a support when inserting the wooden boards to be glued.



## Expandability

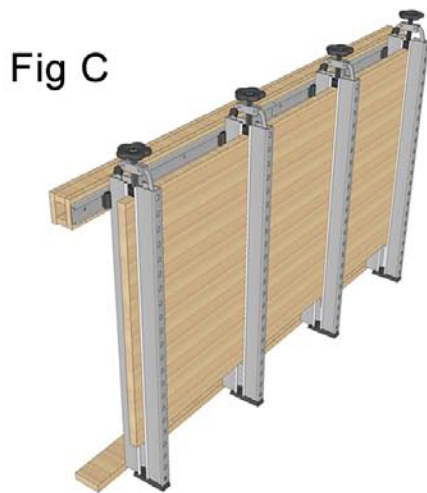
FIG. "C":

- ◆ The slide rails can be attached end-to-end, permitting the use of as many clamps as needed

## Working with PLANO

FIG. "D/E":

- ◆ Adjust the lower base beam (4) to the desired height.
- ◆ Raising the adjustment height = fig. D
- ◆ Lowering the adjustment height = fig. E
- ◆ To adjust the rectangular holes as precisely as possible, it is advisable to number the rectangular holes in the pressure elements.
- ◆ Insert the wooden boards to be glued one by one. After all boards are inserted, engage the pressure beam into the front pressure element and tighten the hand wheel.
- ◆ After completion of the work, push the pressure elements together for compact storage.



## Maintenance

- ◆ The spindle of the hand wheel should always be lightly greased.
- ◆ Keep the pressure elements as well as the base and pressure beams free of glue.

## Guarantee

**This glue press is covered by a 12 month's guarantee.**

- ◆ The guarantee covers only material and construction faults. Faulty parts are replaced free of charge, customers must carry out replacement work.
- ◆ The guarantee does not cover: Transport damage, wearing parts, damage resulting from improper use or failure to observe operating instruction.
- ◆ Guarantee claims are valid only if no repairs have been made by a third party.

**The warranty certificate is only valid with the invoice.**

